

FIBER OPTIC DISTRIBUTION FRAME PANEL(ODF) AG TYPE

SPECIFICATIONS :

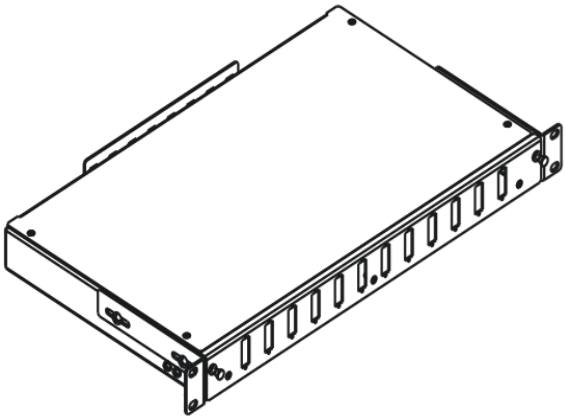
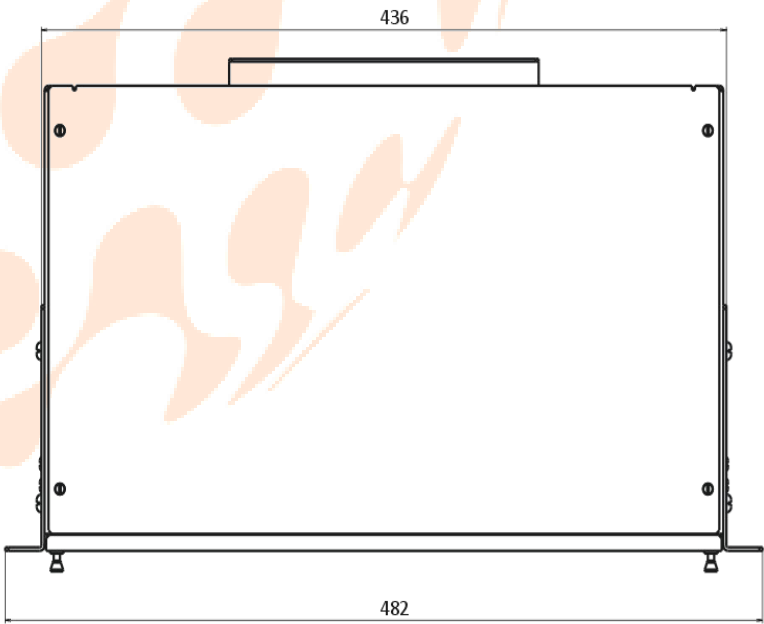
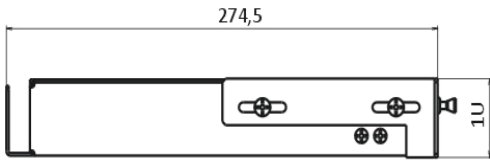
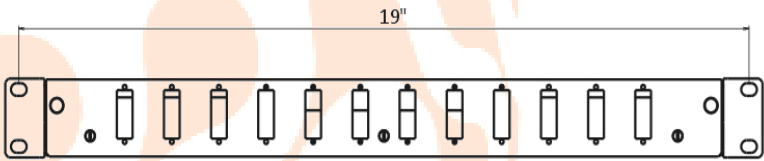
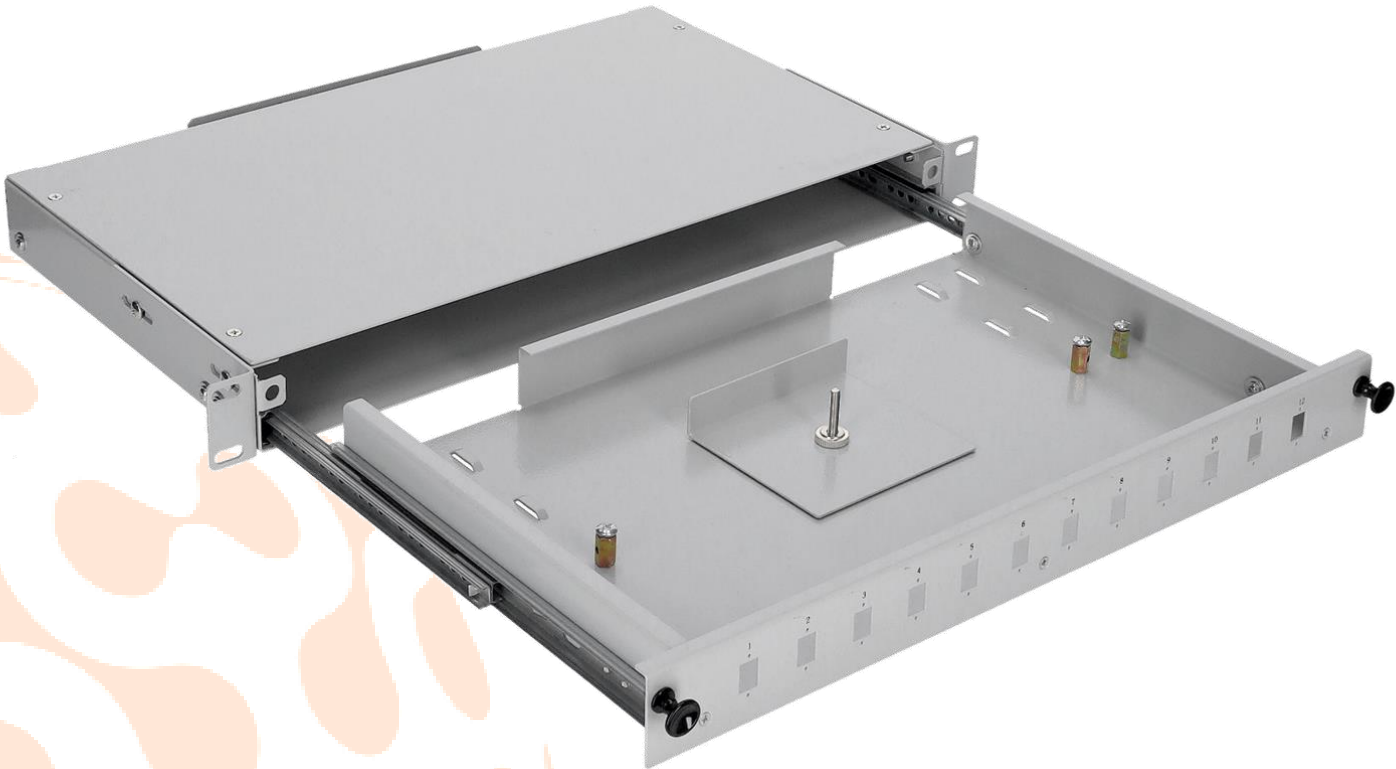
- Patch panel panel consists of a pull out drawer, a casing screwed to a 19" rack, replaceable front panel, cable entries and cassette base.
- Designed to store cable reserve and assembly of cassettes of fiber optic welds in the amount of 2 for the height of 1U up to 8 for the height of 4U
- Used in the system of 19" standard
- Equipped with a replaceable cassette fitting system and protection system against cassette shifting and turning.
- Enable termination of cables and their distribution
- Have cable entries: straight, angular or full ones.

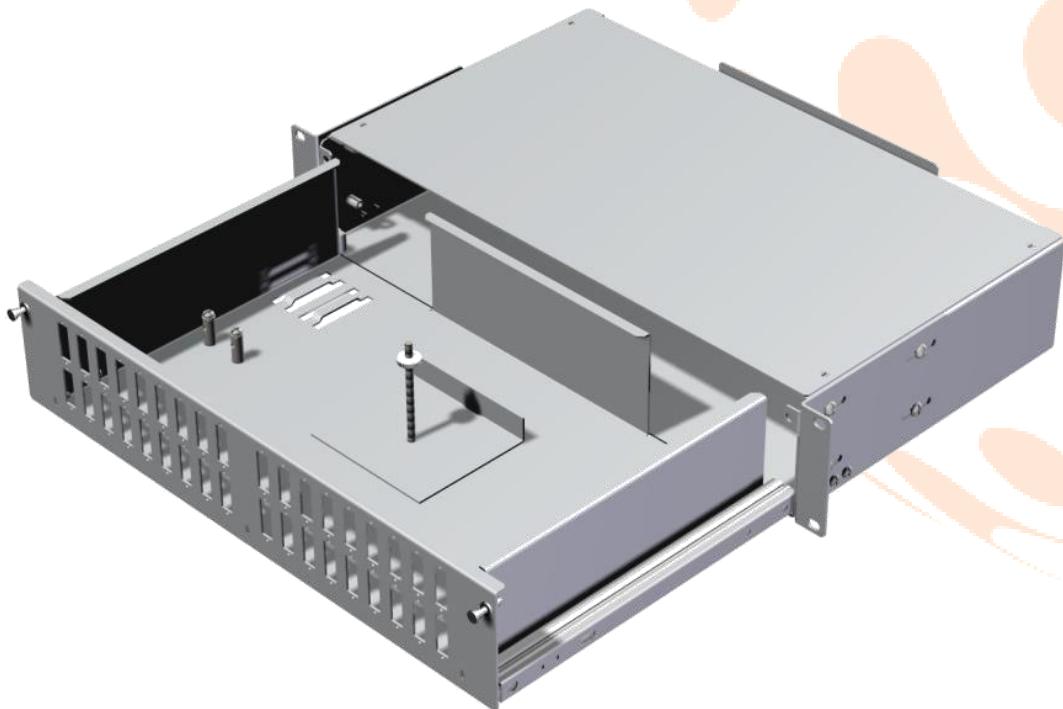
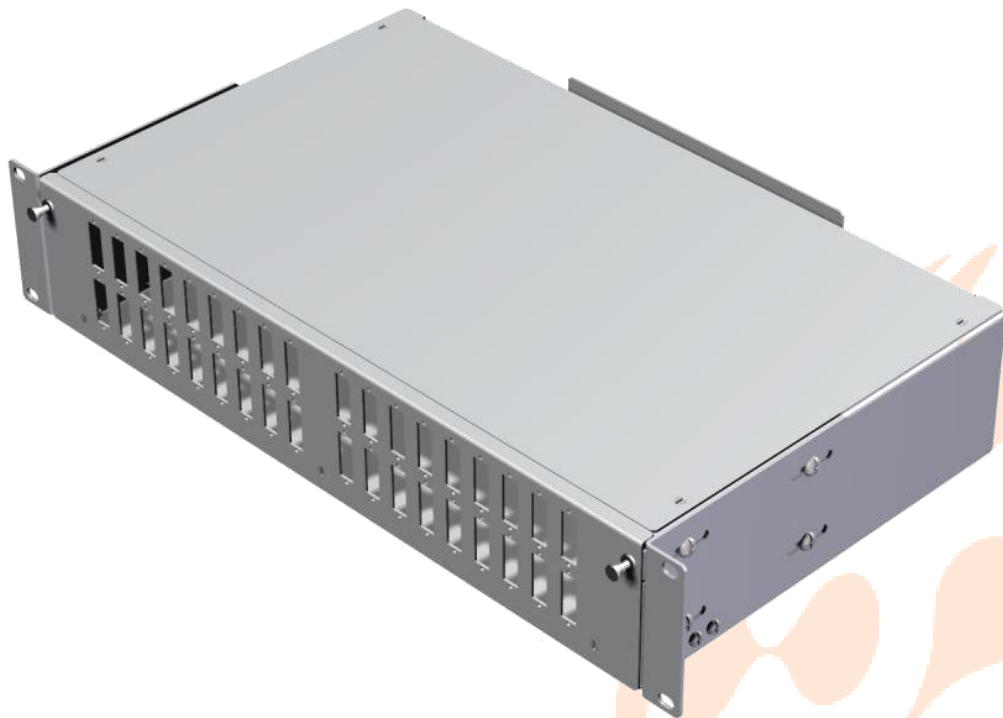
TECHNICAL DATA:

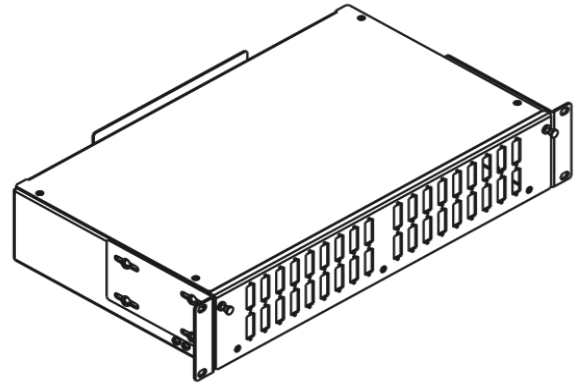
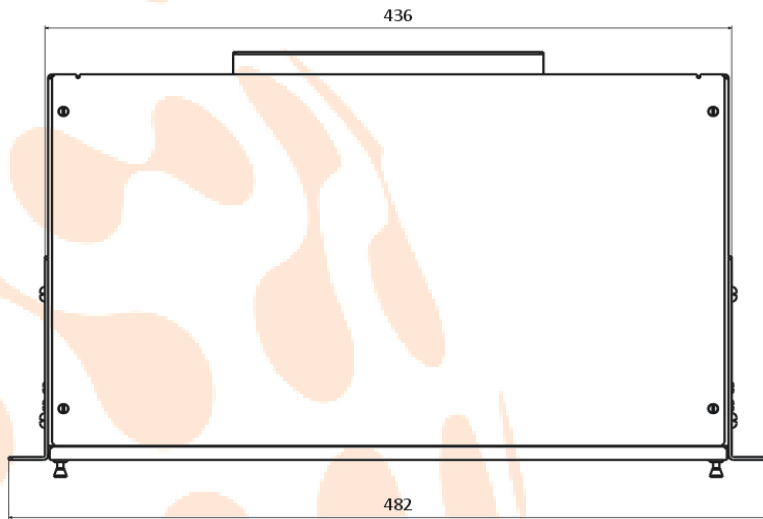
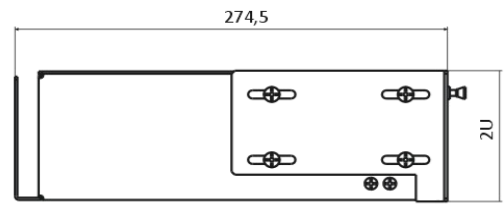
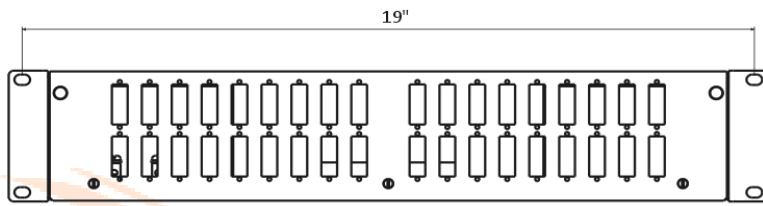
- Pulled out on ball guides.
- Available size – 1U, 2U, 3U, 4U.
- Material – powder coated steel.
- Color – RAL 7035.
- Number of assembled connectors – from 12 for the height of 1U up to 96 for the height of 4U .
- Replaceable front panels - SC/E2000, SC Duplex, ST, FC

Construction of the distribution frame (3D drawings):









Part number	Description	Dimensions mm (H x W x D), mm		
		H	W	D
1UODF-SR12SSC-AG1	12 SC simplex optic patch panel	44	436	275,5
1UODF-SR24SSC-AG1	24 SC simplex optic patch panel	44	436	274,5
2UODF-SR48DSC-AG1	48 SC duplex optic patch panel	88	436	274,5
2UODF-SR48SSC-AG1	48 SC simplex optic patch panel	88	436	274,5
3UODF-SR72SSC-AG1	72 SC simplex optic patch panel	132	436	274,5
4UODF-SR96SSC-AG1	96 SC simplex optic patch panel	176	436	274,5