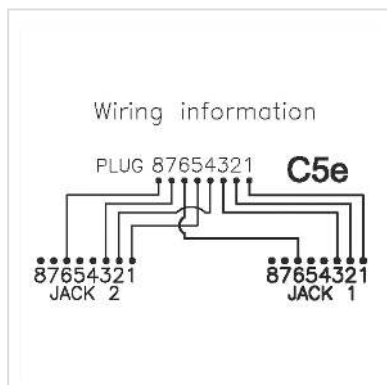


VALUE T-Adapter Cat.5e (Class D), UTP, white

Product No.	21.99.3045
Manufacturer	VALUE
Manufacturer No.	21.99.3045
EAN (single piece)	7611990143917



- For the use with two 10/100 LAN connections over one (full wired) 8-wire cable
- Connection cable (17 cm) with RJ-45 plug; adapter with two RJ-45 jacks
- Pin assignment of connectors: pairs 1, 2 and 3, 6
- Wiring scheme on the adapter
- For Cat. 5e installations
- Note: The adapters can be used only pairwise

Technical specifications

Manufacturer	VALUE
Product group	Connection technology TP
Product type	Netzwerkadapter
Colour	white
Shield type	Not screened
Transfer quality	Cat5e / Class D
Material (casing)	Plastic
Shield contacts	No
separate strain relief	No
Connection direction	Straight
Weight	38.6 g