

Small Compact Thermostat

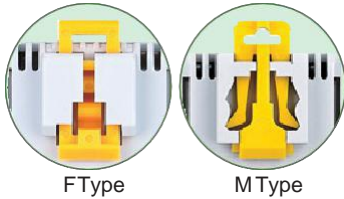
TERM-H/TERM-C

- Large setting range
- Small size
- Simple to mount
- High switching performance



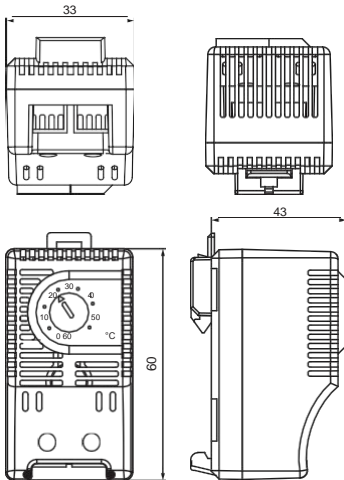
TERM-H Thermostat (normally closed); contact breaker for regulating heaters. The contact opens when temperature is rising.

TERM-C: Thermostat (normally open); contact maker for regulating of filter fans and heat exchangers or for switching signal devices when temperature limit has been exceeded. The contact closes when temperature is rising.



F Type

M Type



Technical Data

CE RoHS ISO9001 Patent

TERM-H/TERM-C

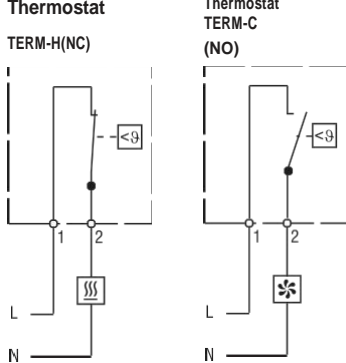
Switch temperature difference	+/-5°C
Sensor element	thermostatic bimetal
Contact type	snap-action contact
Service life	>100,000 cycles
Max. switching capacity	250VAC, 10 (2) A / 120VAC, 15 (2) A DC 30W at 24VDC to 72VDC
Max. inrush current	AC 16A for 10 sec.
Connection	2-pole terminal, clamping torque 0.5Nm max.: rigid wire 2.5mm ² (AWG 14) stranded wire ¹ 1.5mm ² (AWG 16)
Mounting	clip for 35mm DIN rail, EN 60715
Casing	plastic according to UL94 V-0, light grey
Dimensions	60 x 33 x 43mm
Weight	approx. 40g
Fitting position	variable
Operating/Storage temperature	-45 to +80°C (-49 to +176°F)
Operating/Storage humidity	max. 90% RH (non-condensing)
Protection type	IP20

¹ When connecting with wires, wire end ferrules must be used.

Important note: The contact system of the regulator is subjected to environmental influences, thus the contact resistance may change. This can lead to a voltage drop and/or self-heating of the contacts.

Examples of connection

Connection diagrams



Heater



Filter fan, Cooling equipment, Signal device

