

# STANDARD WALL SERIES CABINETS

The most popular design with superior quality, functionality and competitive pricing made this model a hot seller. Designed for professional use, but also used in residential areas, offices, or other applications.

- Very sturdy and robust structure
- Disassembled structure perfect for transportation if ordered flat pack
- Removable and lockable side panels offers extra protection for your hardware

## Standard

- Comply with ANSI/EIA RS-310-D, DIN41497 part 1, IEC297-2, DIN41494 part 7,
- GB/T3047.2-92 standard.

## Feature

- Reliable dismantable structure.
- Wall mounting installation.
- Easy mounting installation (patent).
- 19" standard installation.
- Removable side panels, and side locks in standart config
- Cable entrances on both of top cover and bottom panel.
- 120mm fan (optional).
- Opening angle of front door is in excess of 180 degrees.
- Delivered disassembled or assemble

## Material

SPCC cold rolled steel;

**Thickness:** mounting profile 1.5mm, others 1.2mm.

## Surface finish

Degreased, phosphoric and powdercoated.

## Degree of protection

IP20

## Loading capacity

60kg



Removable and lockable side panels, for easy and secure access.



Lockable front door.

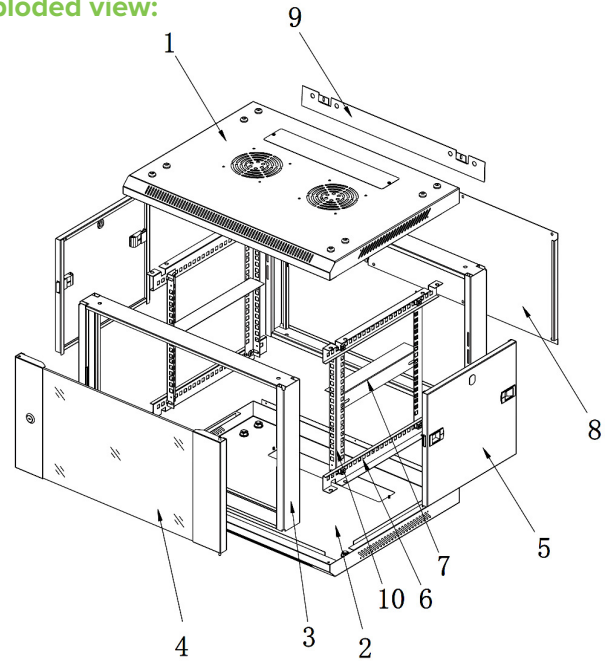


Mounting plate, for easy on wall instalation.

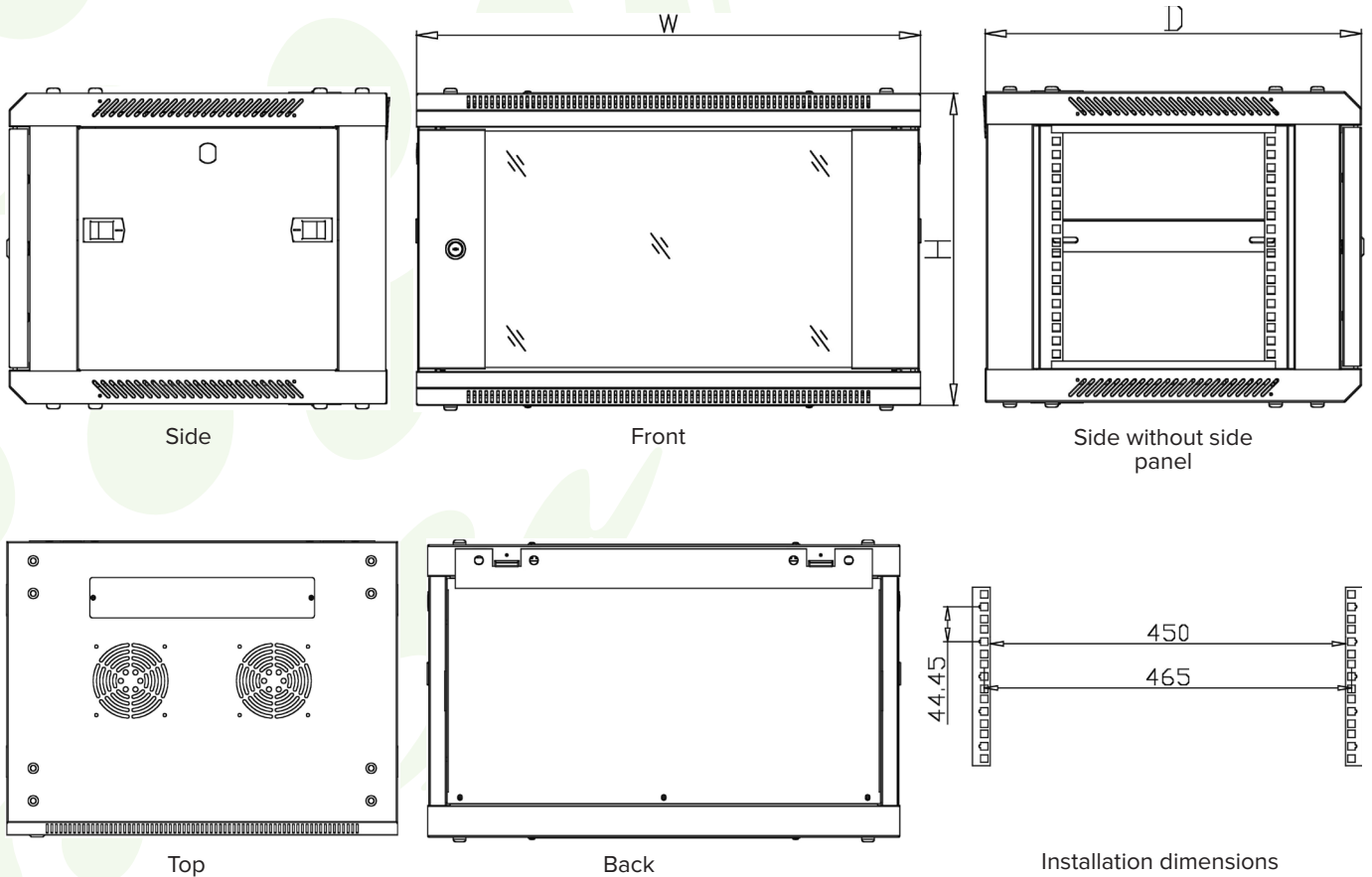


Description	
1.	Roof
2.	Bottom
3.	Front frame
4.	Glass door
5.	Side panels
6.	Horizontal support
7.	Support for equipment
8.	Back panel
9.	Mounting profile
10.	19" rails

### Exploded view:



### Drawings:



# STANDART WALL SERIES CABINETS

## Standart cabinet ordering information:

Part Number	Height, mm	Wide, mm	Depth, mm
4U-60/40C	281	600	400
4U-60/45C	281		450
6U-60/30C	370		300
6U-60/40C	370		400
6U-60/45C	370		450
6U-60/60C	370		600
9U-60/45C	503		450
9U-60/60C	503		600
12U-60/45C	637		450
12U-60/60C	637		600
15U-60/45FPC	770		450
15U-60/60FPC	770		600
15U-60/80FPC	770		800
18U-60/45FPC	906		450
18U-60/60FPC	906		600
22U-60/45FPC	1081		450
22U-60/60FPC	1081		600
27U-60/45FPC	1300		450
27U-60/60FPC	1300		600

Height, U	-	Wide	/	Depth	Cabinet type	-	Front door	Color
4U, 6U, 9U, 12U, 15U, 18U, 22U, 27U	-	60 - 600mm	/	45 - 450mm	C- assembled	-	without data - glass door	without data - Grey
				60 - 600mm	FPC - Not assembled		S - plain steel door	B -Black
				80 - 800mm				
15U	-	60	/	80	C	-		

**Examples:** With the part number 15U-60/80C you would get 15U cabinet, 600mm wide, 800mm depth, grey color, already assembled, with glass front door. 15U-60/80FPC would mean it is the same cabinet not assembled.

### Have special requirements for your projects? We can help here!

If you need any specific design change, or some modifications according to your projects, feel free to ask us. Our production line provides possibilities to make custom solutions according your requirements.